

**SECTION A-A**

**LEGEND**

- ③ Construction joint type D-1. See Standard Drawing E 503-CCPJ-01 for details.
- ④ Longitudinal keyway joint, if pavement is PCCP. See Standard Drawing E 503-CCPJ-04 for details.
- ⑧ Longitudinal contraction joint. See Standard Drawings E 503-CCPJ-07 AND -08 for details.
- ⑨ 1" preformed joint filler
- ⑩ Ear construction type A. See Standard Drawing E 605-ERCN-01 for details.
- ⑪ Ear construction type B. See Standard Drawing E 605-ERCN-02 for details.
- ⑭ Integral concrete curb

L = Minimum longitudinal length of crossover

P = Travel lane or turn lane width

W = Width of median

V.C. = Vertical curve length

 = Stabilized shoulder

**GENERAL NOTES :**

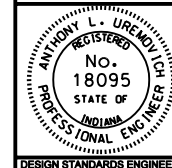
1. The crossover length L is based on a 90° road intersection.
2. PCCP crossover shall be constructed if the cross road approach is concrete  
HMA crossover shall be constructed if the cross road approach asphalt.
3. See Standard Drawings E 610-PRCO-01A through -07 for crossover plans.

INDIANA DEPARTMENT OF TRANSPORTATION

**PUBLIC ROAD CROSSOVER SECTION**

MARCH 2003

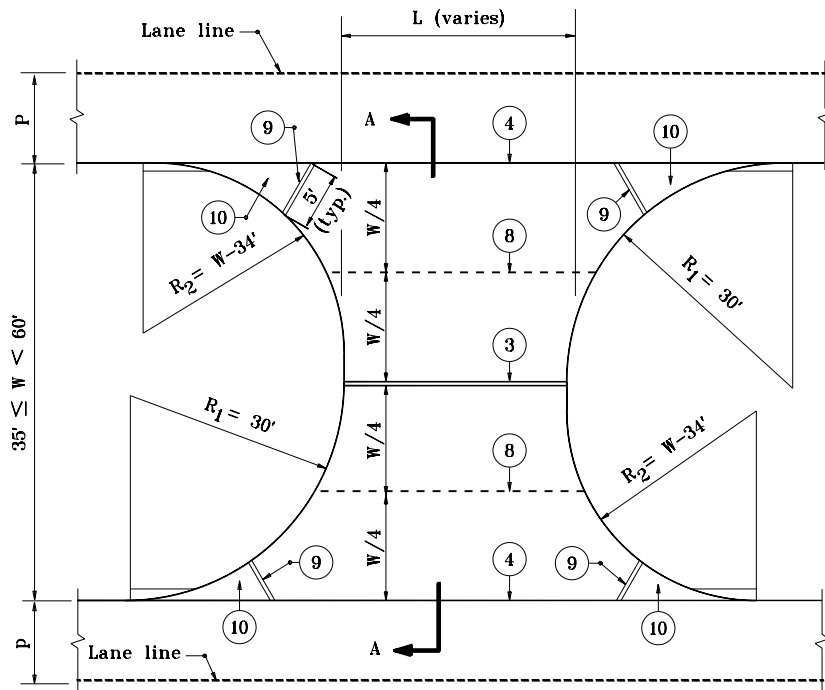
STANDARD DRAWING NO. E 610-PRCO-01



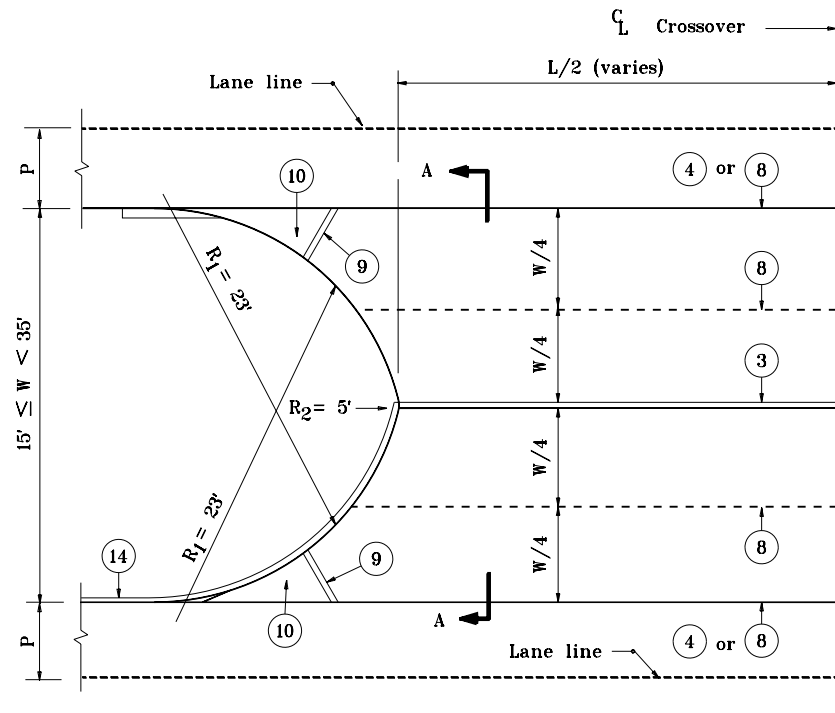
/s/ Anthony L. Uremovich 3-03-03  
DESIGN STANDARDS ENGINEER DATE

/s/ Richard K. Smutzer 3-03-03  
CHIEF HIGHWAY ENGINEER DATE

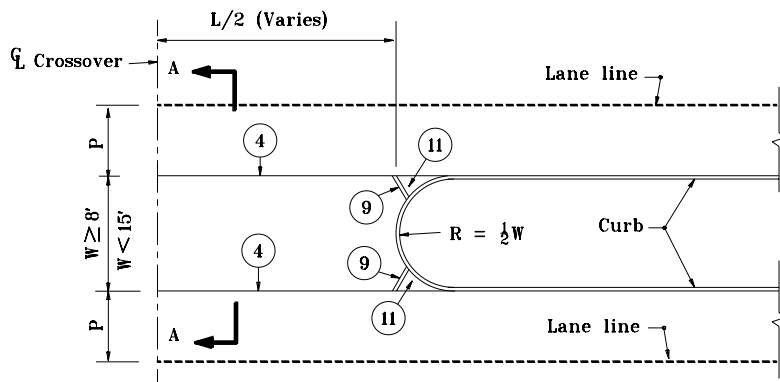
DESIGN STANDARDS ENGINEER



**CROSSOVER PLAN FOR MEDIAN WIDTH OF 35 ft OR GREATER BUT LESS THAN 60 ft**



**CROSSOVER PLAN FOR MEDIAN WIDTH OF 15 ft OR GREATER BUT LESS THAN 35 ft**

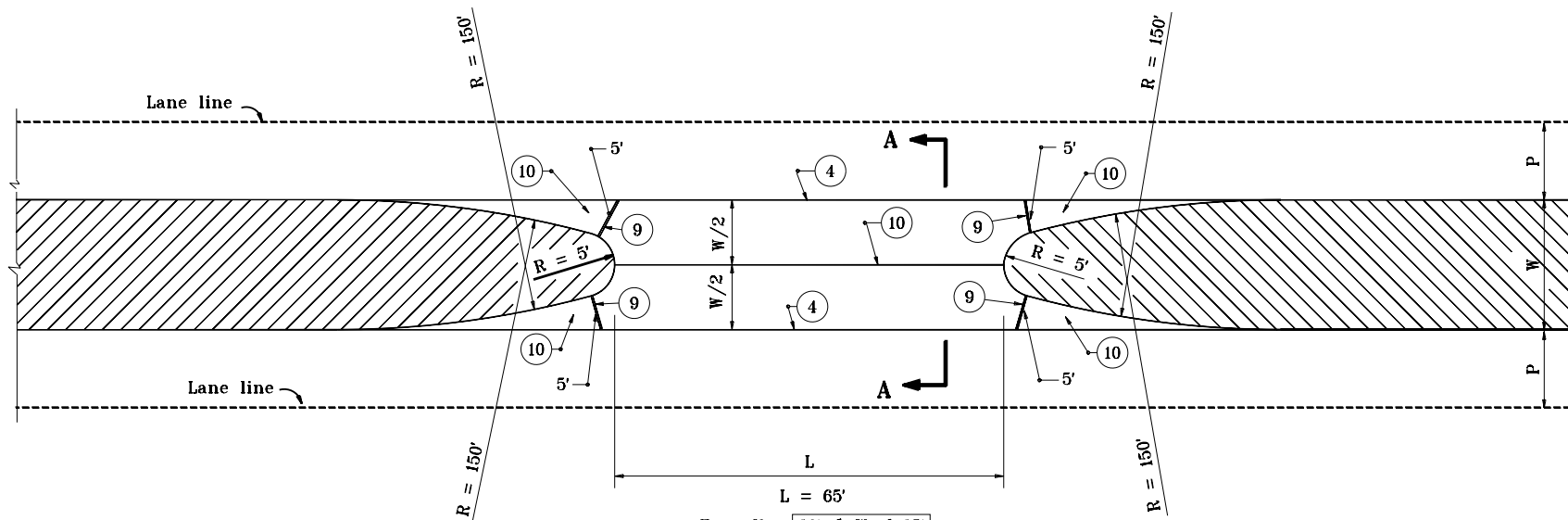


**CROSSOVER PLAN FOR MEDIAN WIDTH OF 8 ft OR GREATER BUT LESS THAN 15 ft**

**NOTES :**

1. For median width W of 60' or greater, R = 30'.
2. For median width W of less than 8', L = 100' min.
3. See Standard Drawing E 610-PRCO-01 for Legend and Section A-A.
- ⑧ Use construction joint in place of keyway joint if W is 32' or more.

INDIANA DEPARTMENT OF TRANSPORTATION	
<b>PUBLIC ROAD CROSSOVER</b>	
<b>PLANS</b>	
MAY 2000	
<b>STANDARD DRAWING NO. E 610-PRCO-01A</b>	
	<i>/s/ Anthony L. Uremovich</i> 5-01-00 <small>DESIGN STANDARDS ENGINEER DATE</small>
	<i>/s/ Firooz Zandi</i> 5-01-00 <small>CHIEF HIGHWAY ENGINEER DATE</small>
<small>DESIGN STANDARDS ENGINEER</small>	



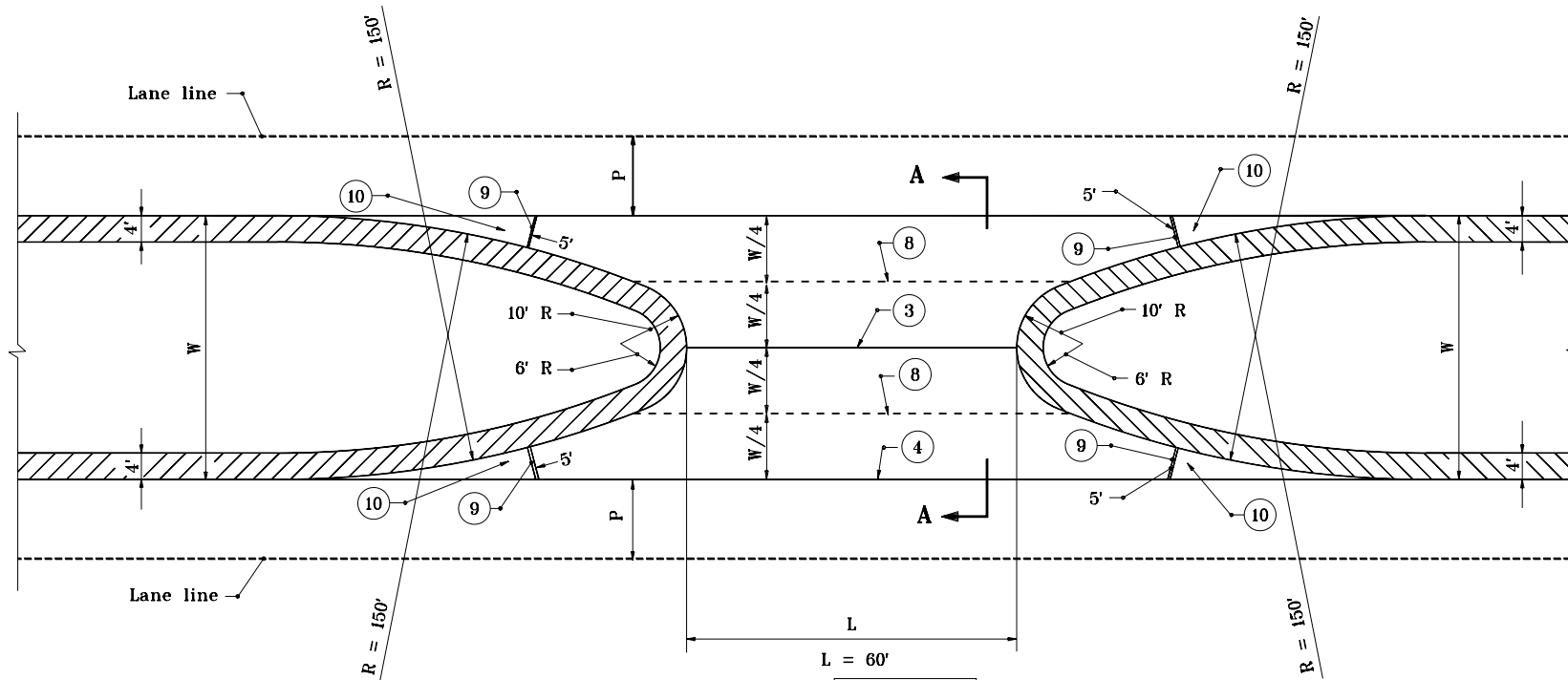
$L = 65'$   
 Type K  $20' \leq W < 25'$   
 $L = 60'$   
 Type L  $25' \leq W < 30'$

**PLAN**

**NOTES :**

1. See Standard Drawing E 610-PRCO-01 for Legend and Section A-A.

INDIANA DEPARTMENT OF TRANSPORTATION	
PUBLIC ROAD CROSSOVERS TYPE K & L MAY 2000	
STANDARD DRAWING NO. E 610-PRCO-02	
	/s/ Anthony L. Uremovich 5-01-00 DESIGN STANDARDS ENGINEER DATE
	/s/ Firooz Zandi 5-01-00 CHIEF HIGHWAY ENGINEER DATE



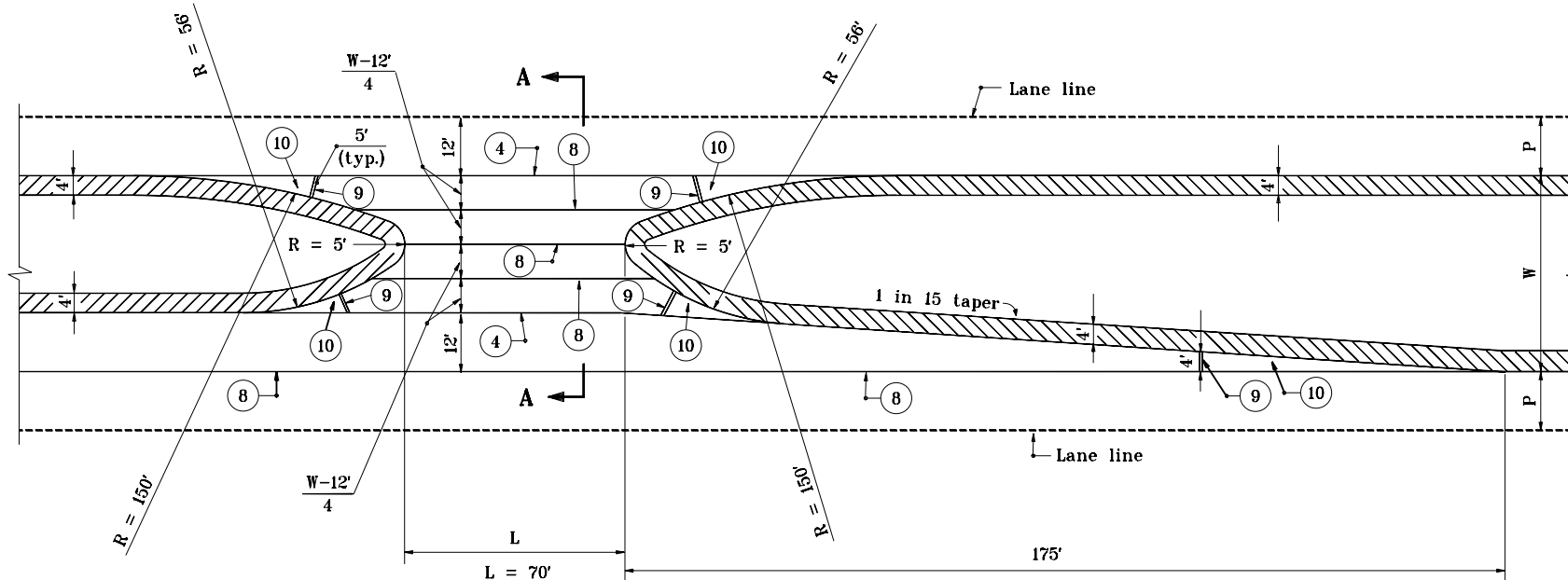
$L = 60'$   
 Type M  $30' \leq W < 45'$   
 $L = 50'$   
 Type N  $45' \leq W < 65'$

**PLAN**

**NOTES :**

- See Standard Drawing E 610-PRCO-01 for Legend and Section A-A.

INDIANA DEPARTMENT OF TRANSPORTATION	
PUBLIC ROAD CROSSOVERS	
TYPE M & N	
MAY 2000	
STANDARD DRAWING NO. E 610-PRCO-03	
	/s/ Anthony L. Uremovich 5-01-00 DESIGN STANDARDS ENGINEER DATE
	/s/ Firooz Zandi 5-01-00 CHIEF HIGHWAY ENGINEER DATE
DESIGN STANDARDS ENGINEER	



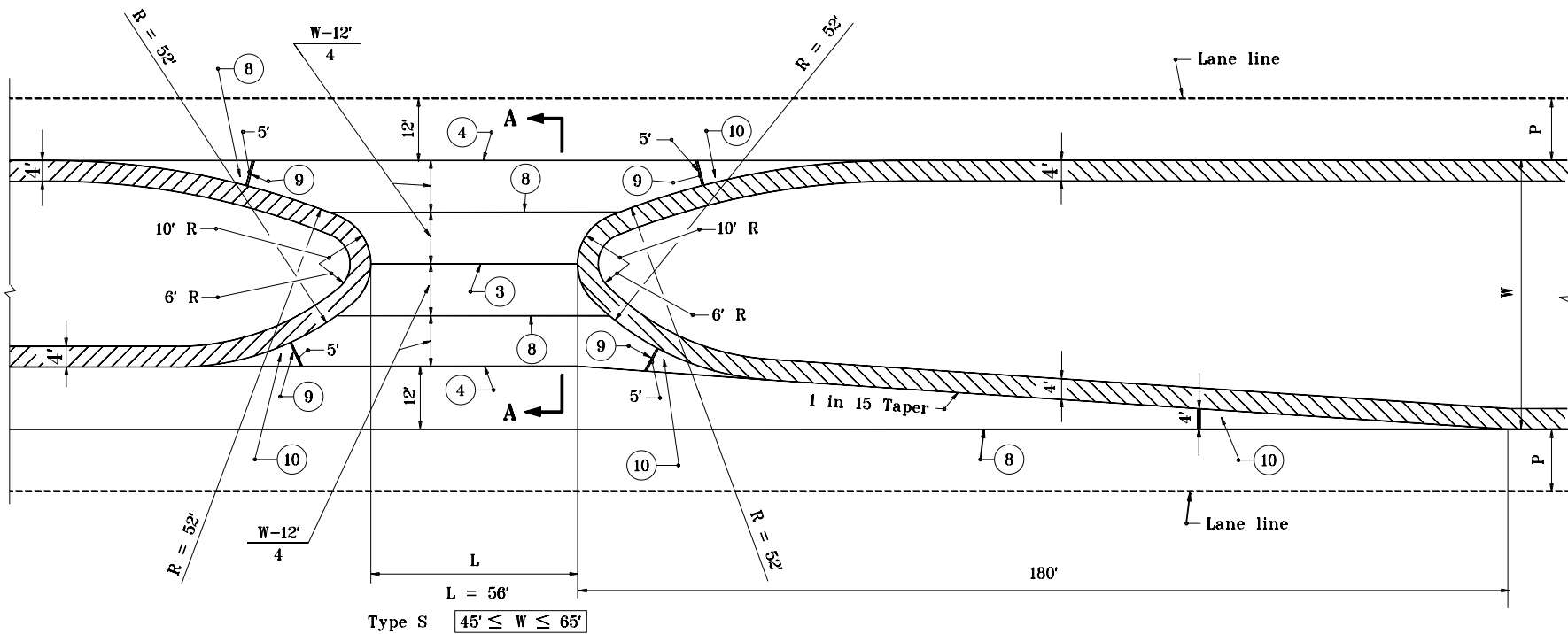
Type P  $30' \leq W < 35'$   
 $L = 66'$   
 Type R  $35' \leq W < 45'$

**PLAN**

**NOTES :**

1. See Standard Drawing E 610-PRCO-01 for Legend and Section A-A.

INDIANA DEPARTMENT OF TRANSPORTATION	
PUBLIC ROAD CROSSOVERS TYPE P & R	
MAY 2000	
STANDARD DRAWING NO. E 610-PRCO-04	
	/s/ Anthony L. Uremovich 5-01-00 DESIGN STANDARDS ENGINEER DATE
	/s/ Firooz Zandi 5-01-00 CHIEF HIGHWAY ENGINEER DATE



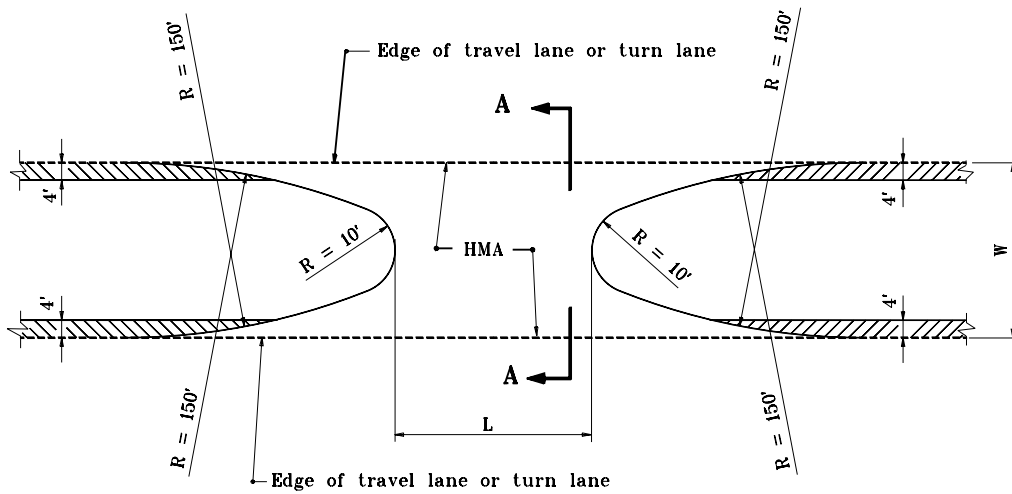
**PLAN**

**NOTES :**

1. See Standard Drawing E 610-PRCO-01 for Legend and Section A-A.

INDIANA DEPARTMENT OF TRANSPORTATION	
PUBLIC ROAD CROSSOVER TYPE S	
MAY 2000	
STANDARD DRAWING NO. E 610-PRCO-05	
	/s/ Anthony L. Uremovich 5-01-00 DESIGN STANDARDS ENGINEER DATE
	/s/ Firooz Zandi 5-01-00 CHIEF HIGHWAY ENGINEER DATE





**PLAN**

**NOTES :**

1. Plan dimensions for HMA pavement crossover shall be as shown for PCCP on Standard Drawings E 610-PRCO-01A through -07.
2. See Standard Drawing E 610-PRCO-01 for Legend and Section A-A.

INDIANA DEPARTMENT OF TRANSPORTATION	
<b>PUBLIC ROAD CROSSOVER PLAN FOR HMA PAVEMENT</b>	
MAY 2000	
<b>STANDARD DRAWING NO. E 610-PRCO-07</b>	
	<i>/s/ Anthony L. Uremovich</i> 5-01-00 <small>DESIGN STANDARDS ENGINEER      DATE</small>
	<i>/s/ Firooz Zandi</i> 5-01-00 <small>CHIEF HIGHWAY ENGINEER      DATE</small>
<small>DESIGN STANDARDS ENGINEER</small>	